

Tourmaline Fiber Laser

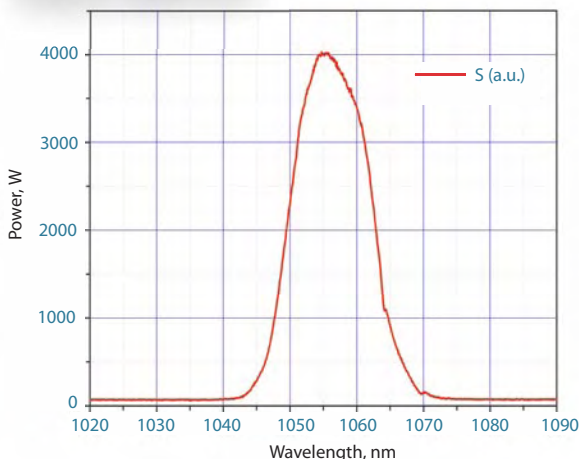
Yb-Doped Femtosecond Fiber Laser



Average power	20 mW
Wavelength	1040-1064 nm
Repetition rate	60-80 MHz
Pulse duration	100 fs
Output pulse energy	0.25 nJ
Output power	20 mW

Yb-doped femtosecond fiber Tourmaline is a new member of Del Mar Photonics fiber lasers family. Femtosecond pulsed lasers are used in a growing number of applications in physics and the life sciences including material processing, multi-photon imaging, pump-probe spectroscopy and parametric generation. As the number of applications for ultrafast lasers grows so does the need for small and reliable, low noise femtosecond pulse sources. All solid-state fiber lasers based on Er-doped and Yb-doped fibers are an ideal solution. Fiber lasers do not require the expensive pump lasers that traditional solid-state femtosecond lasers do and are assembled from established telecommunication components, further reducing the system cost. Using standard fiber components, fiber based femtosecond lasers offer robust and stable operation without the need for constant realignment.

Output spectrum



Excellent source for:

- Amplifier systems seeding
- Terahertz generation and detection
- Multi-photon microscopy
- Frequency metrology
- Ultrafast spectroscopy
- Semiconductor device characterization

Femtosecond Fiber Laser Advantages

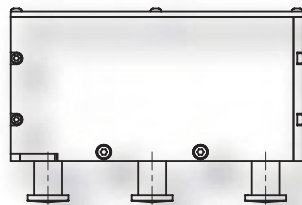
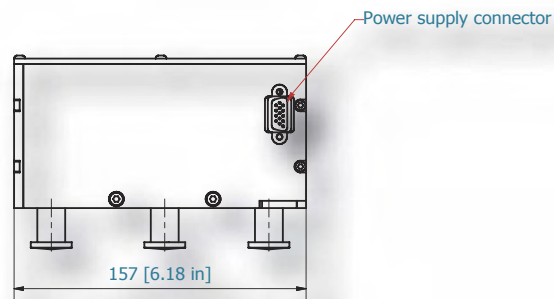
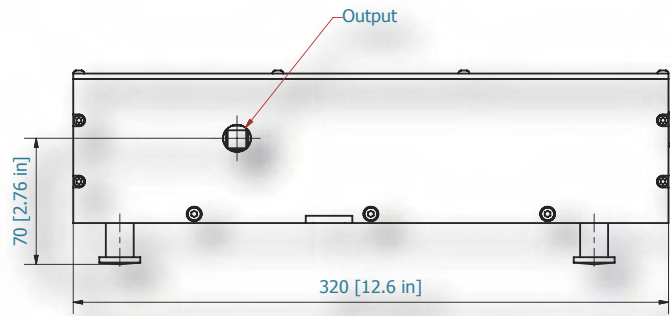
- Turnkey operation
- Small footprint
- Affordable cost
- Stable and compact
- Great teaching tool

DEL  MAR PHOTONICS

www.dmphotonics.com



Dimensions



Ultra-fast Femtosecond Fiber Laser

Model: Tamarack

INVISIBLE LASER RADIATION

DO NOT VIEW DIRECTLY WITH
OPTICAL INSTRUMENTS!

CLASS 3b LASER PRODUCT

DEL  MAR PHOTONICS

4119 Twilight Ridge, San Diego, CA 92130, USA Tel:: (858) 876-3133 Fax:: (858) 630-2376
E-mail:: sales@dmphotonics.com URL:: www.dmphotonics.com